

ROBOTICS

# R300

ROIN



 **INTEHROS**



Use your  
smartphone to  
learn more  
about  
ROIN\_RTS  
R300.



Scan me



## BASIC MODEL OF THE ROIN MID-SERIES

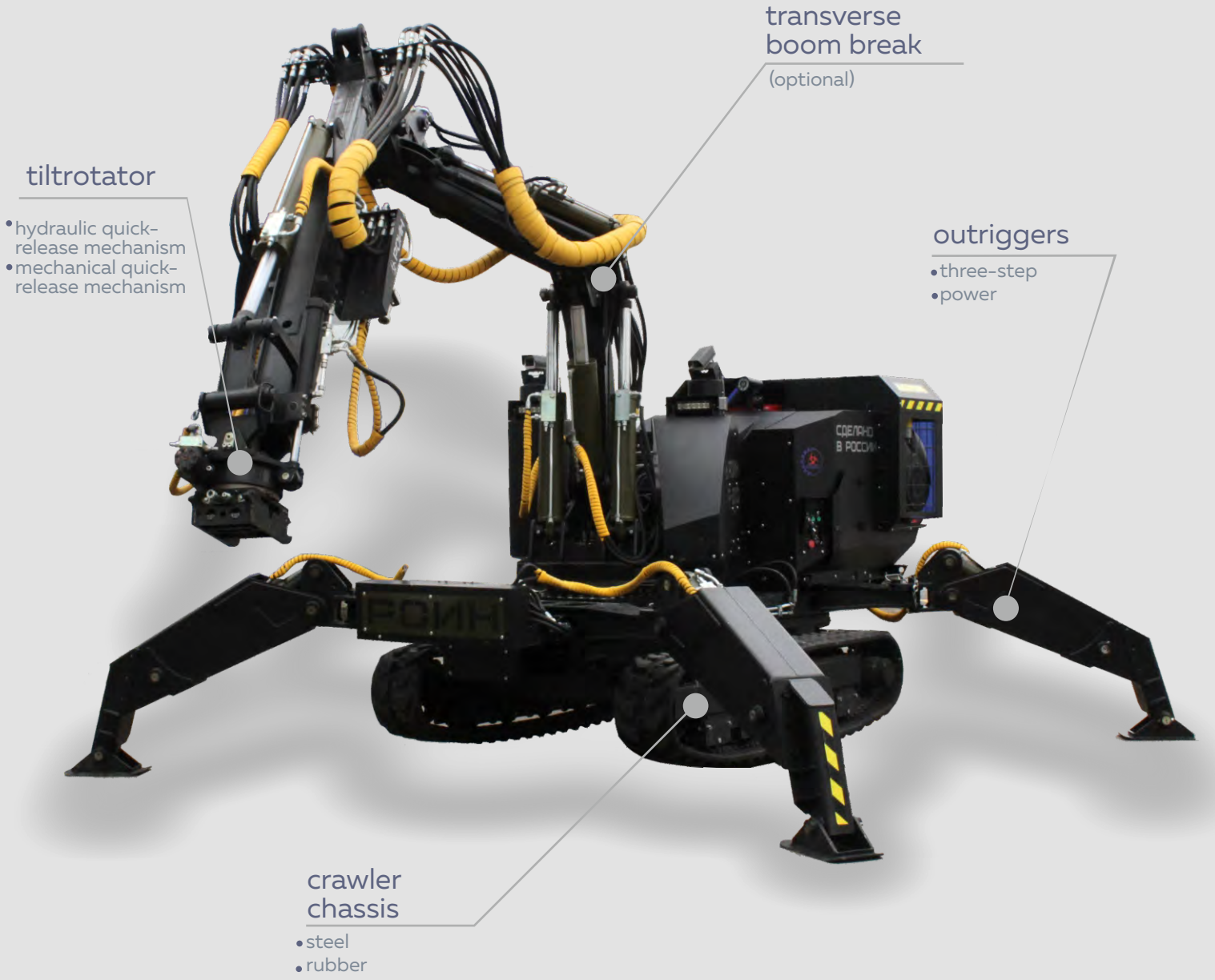
The mid-range ROIN\_RTS R300 multipurpose robot combines high-performance manipulator with adaptability thanks to its modular design. The optional installation of additional degrees of freedom increases the flexibility of the work tool and makes it easy to use in tight spaces.

The ROIN\_RTS R300 performs a variety of engineering tasks, eliminating the need for a fleet of specialized vehicles. The unit is compatible with any hydraulic attachments available for purchase from our company. The modular design provides the ability to choose the chassis, outriggers, actuator and power unit.



ROIN\_RTS R300 can be used in many industries:

- mining
- metallurgical
- atomic
- oil and gas
- railroad
- construction



tiltrotator

- hydraulic quick-release mechanism
- mechanical quick-release mechanism

transverse boom break

(optional)

outriggers

- three-step
- power

crawler chassis

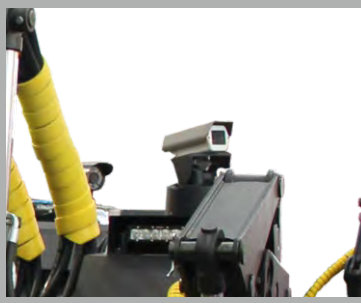
- steel
- rubber



The RTS is optionally available with three crawler options or without a carrier-mounted chassis.



The next-gen tiltrotator unit allows changing attachments.



The robotics control system may include a set of FullHD cameras and a radio module for control up to 1500m.







Changing the tech we



- The flexibility and the boom outreach provide efficiency in a limited work area.
- Installation on three carriers is possible: railway platform, truck and crawler chassis.
- The unit is delivered in three versions: heat-resistant, radiation-resistant and Arctic version.



 INTEHROS

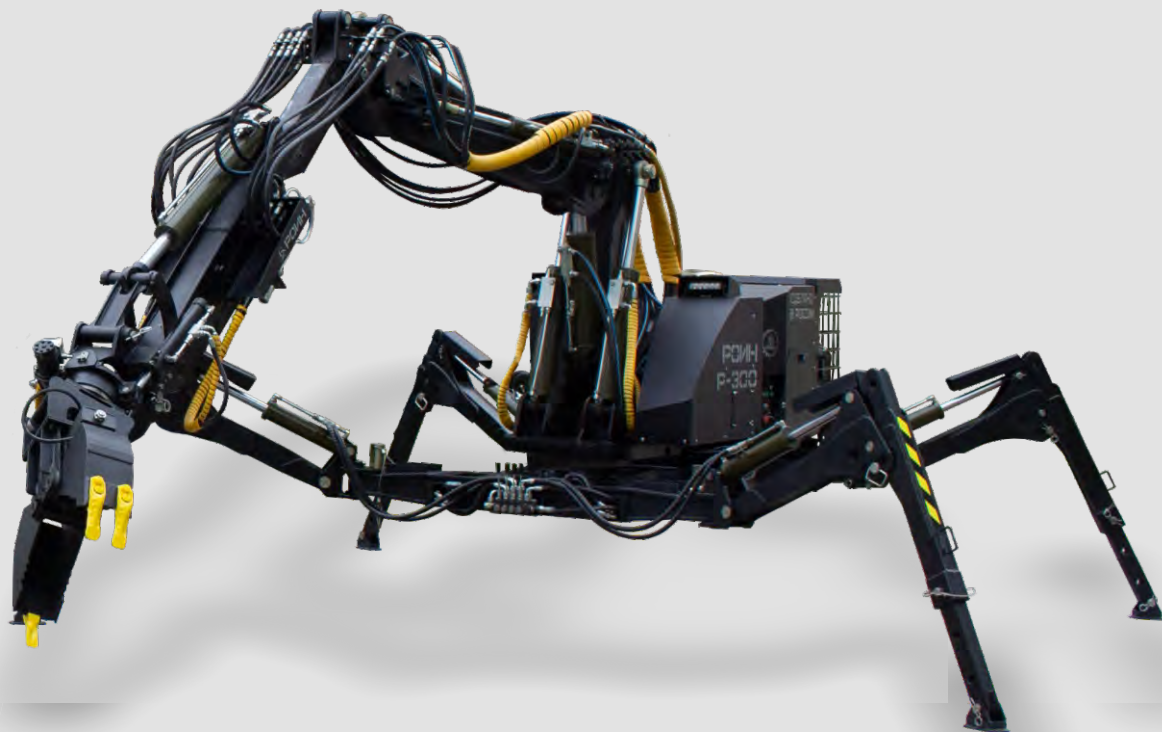
- The R300 is controlled remotely from a distance of up to 1,500 m.
- The operator can use two control panels: one with video signal transmission and another with a light technological panel.
- A virtual simulator is available for operator training.

It supports 30+ types of attachments.



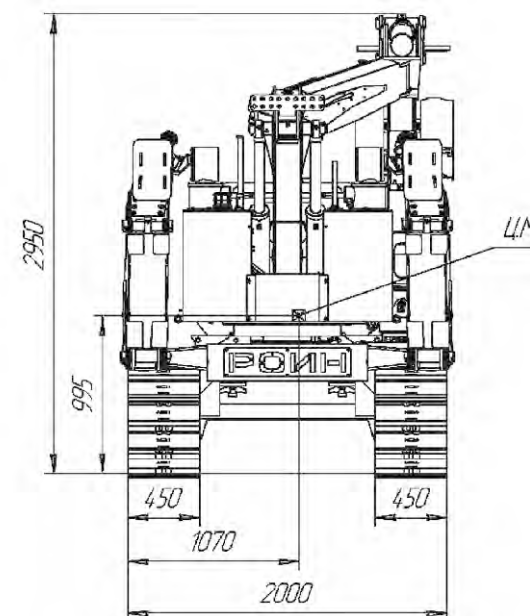
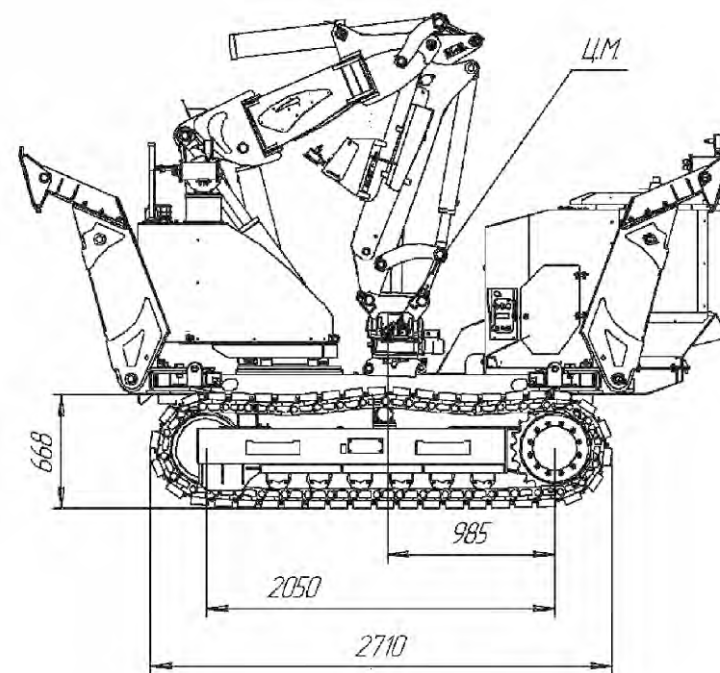
# ROIN\_RTS R300

## Main characteristics



Recommended attachment weight, kg	600
Maximum boom outreach, m	6.5
Maximum lifting height, m	7.0
Maximum lowering depth, m	2.2
Hydraulic pump drive	diesel/gasoline
Length, mm	4150
Width, mm	2000
Height, mm	2950

Changing the tech world



# ROIN\_RTS R300C

TRANSPORT MODIFICATION  
OF THE ROIN MID-SERIES

suitable to perform:

- dismantling
- tubing in construction
- relining of furnaces and ladles
- radioactive waste handling
- tunnel maintenance
- excavation work

The robotic platform on the tracked chassis provides transportation and obstacle clearing tasks. The basic R300 chassis is additionally equipped with two tipper bodies, a shovel, and a hydraulic winch.

Together with the ROIN\_RTS R300, it forms a robotic group that is effective in hazardous environments.



Load capacity, tons	3.0
Hydraulic pump drive	diesel/gasoline
Length, mm	3631
Width, mm	2246
Height, mm	2335





# INTEHROS

18b Krasnodonskaya St.,  
Voronezh, Russia  
phone: +7 473 220 43 31  
info@intehros.ru

38/1 Shiryamova St.,  
Irkutsk, Russia  
phone: +7 3952 50 02 75  
info@novoteh.pro

70 Mosfilmovskaya St.,  
Moscow, Russia  
phone: +7 985 116 67 99  
moscow@intehros.ru

41 Gogolya St.,  
Vladivostok, Russia  
phone: +7 914 709 02 99  
dv@intehros.ru