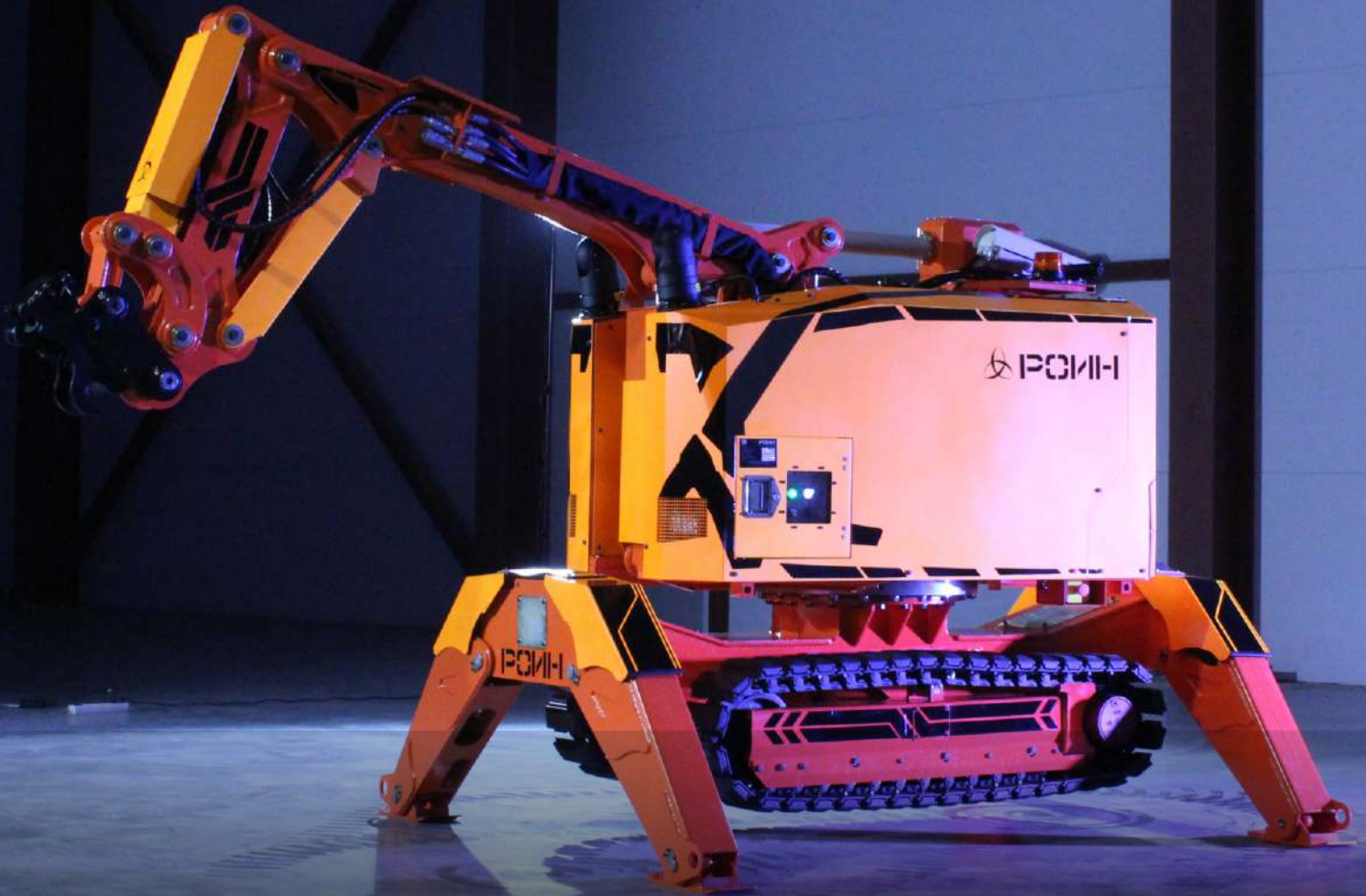




**Product Video**

Use your  
smartphone  
to learn more  
about the  
ROIN R100

*Scan me*



# ROIN\_RTC R 100

The P100 robotics tool is a next-gen robot with an enlarged working area and an upgraded hydraulic system.



**ROIN**



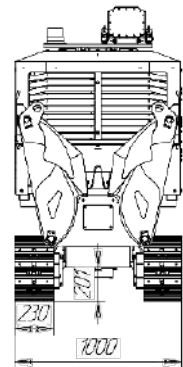
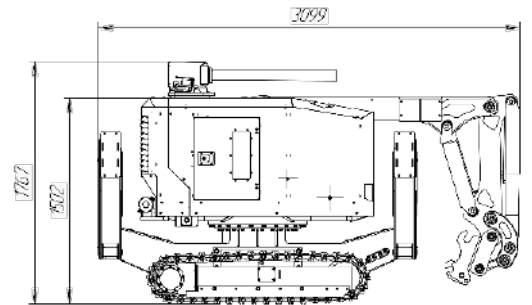
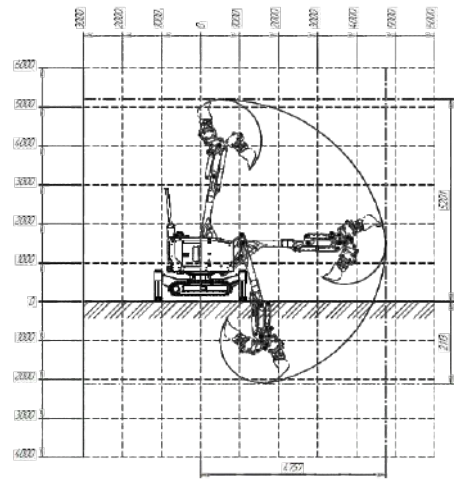
The P100 robotics tool is a next-gen robot with an enlarged working area and an upgraded hydraulic system. The robot's W x H dimensions are 1 m x 1.5 m. The boom outreach has been increased by half a metre and the enhanced power unit has resulted in a 35% increase in productivity.

The P100 comes with a full-turn turret for expanding the working area in narrow corridors, tunnels, and converters. It uses its own chassis with rubber or steel tracks to move over any surface.

The P100 is controlled remotely by a single operator via the control panel. The operator can be up to 1.5 km away from the robot, thanks to the portable communication antennas. The robot is fitted with four Full HD video cameras for control from over 300 metres.

The P100 is available in a radiation-resistant version with full protection of electrical components when used in a radioactively contaminated site. For operating temperatures above 50 degrees Celsius, we recommend equipping the P100 with a thermal protection package.

Changing the tech world



Recommended attachment weight, kg	300
Maximum boom outreach, m	5,4
Maximum lifting height, m	5,9
Maximum lowering depth, m	2,1
Hydraulic pump drive	electric/diesel
Length, mm	3099
Width, mm	1000
Height, mm	1502



# INTEHROS

РОИИ

18b Krasnodonskaya St.  
Voronezh  
Tel.: +7 473 220 43 31  
info@intehros.ru

38/1 Shiryamova St.  
Irkutsk  
Tel.: +7 3952 50 02 75  
info@novotech.pro

70 Mosfilmovskaya St.  
Moscow  
Tel.: +7 985 116 67 99  
moscow@intehros.ru

41 Gogolya St.  
Vladivostok  
Tel.: +7 914 709 02 99  
dv@intehros.ru